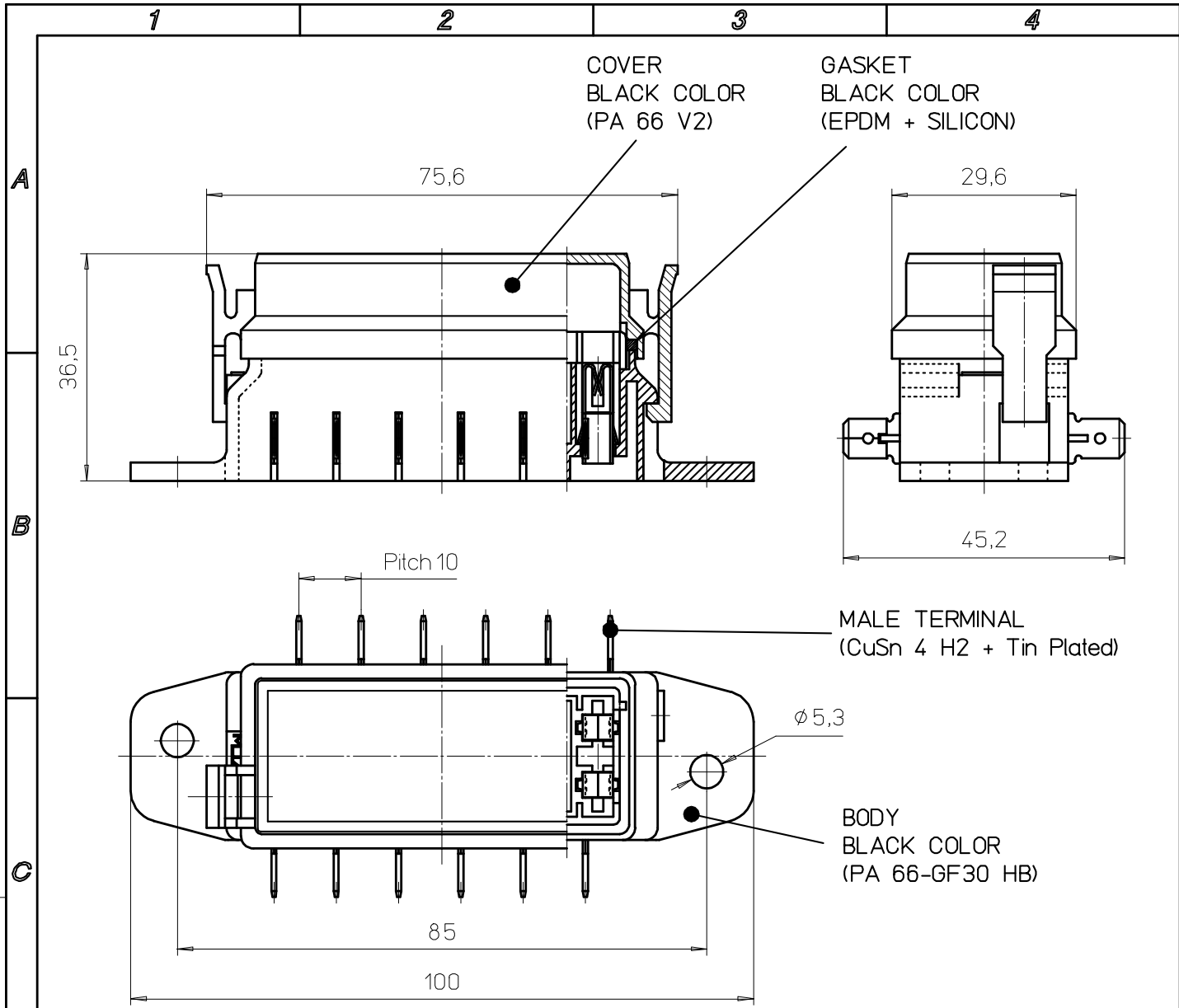


All proprietary rights reserved by MECCANOTECNICA CODOGNESE S.p.A. - This drawing shall not be reproduced, or in any way utilized, for the manufacture of the component or unit herein illustrated and must not be released to other parties, without written consent. Any infringement will be legally pursued.



OPERATING FEATURES		
FEATURE	UNIT	VALUE
<i>V max</i>	V	32
<i>T. min - T. max</i>	°C	-30 / +85
<i>* I Continuous</i>	A	RECOMMENDED 100A TOT; 20A/WAY
<i>IP</i>	IEC 529	23

\*APPLICATION WITH CURRENT HIGHER THAN THE INDICATED ONE, HAVE TO BE VERIFIED AND AUDITED ONE BY ONE



MTA P/N 01.00600

Denom. FUSE BOX UNIVAL SIDE 6 WAY

Draw No. B0-002.022A

Used for

Rel. Level APPROVED

Draw for CLIENT

Family FUSE HOLDERS MULTIWAY

Date Name

Scale Weight(g) Lin.Tol.\* Ang.Tol.\*

Material SEE DRAWING Thick. Width

Draft 06/11/1989 M.CORBANI

1:1 0.5

Coating SEE DRAWING

Chk 06/11/1989 M.CORBANI

Dimensions in (mm) Sheet

Color SEE DRAWING

PQApp 30/11/2004 R.GONZALEZ

A4

1/1

App. 30/11/2004 M.CORBANI

3 OPERATING FEATURES UPDATED

No.	Reason for Revision	Date	Name
		20/10/2004	A. CAPELLI